

Rocker Switch (RS1-5 (Y) Series)

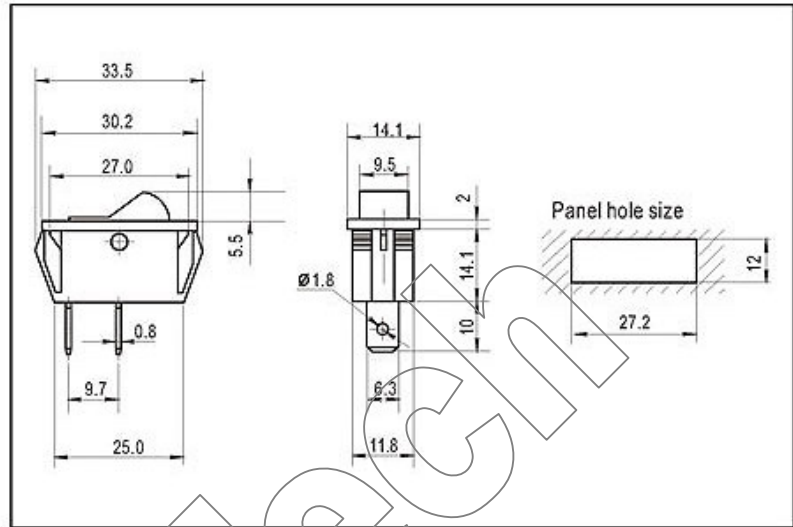


SPECIFICATIONS

16 (4) A 250VAC T125/55 1E4

15A 125VAC / 7.5A 250VAC

ROHS Compliance



EXPLANATION MODEL NUMBER

RS1-5(Y) - 11 - B - 10 - BK/BK - P1

